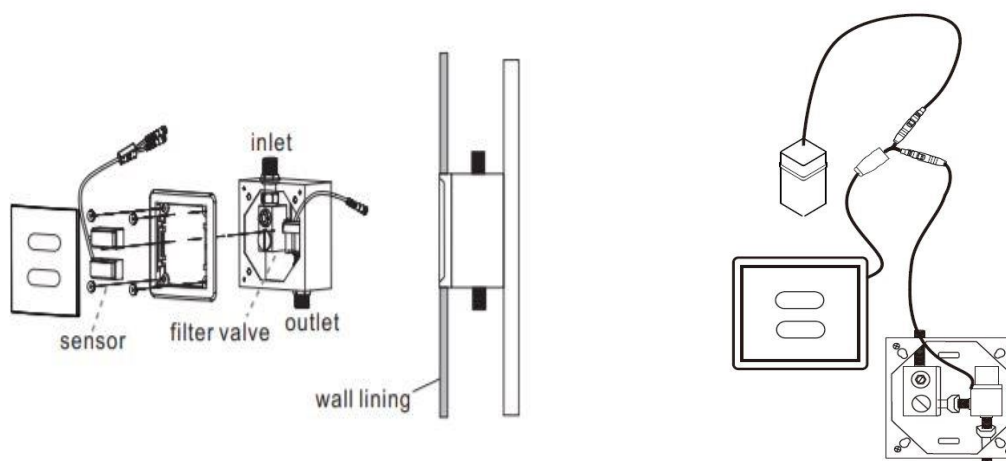


Specification Summary – ET-SH

- Infra-red wall mounted sensor shower
- Highly suitable for Commercial or Domestic use – ideal retro-fit option
- Stainless Steel faceplate
- No touch operation
- Easy front panel access for maintenance
- Unit is recessed into wall cavity – requires 90mm
- Only front panel is visible after install
- No fixed run time for maximum water saving
- Auto off after 1 minute if sensor obstructed
- Adjustable sensor distance – 750-800mm
- Confirmation time of 5 seconds
- Auto shut off once body removed from sensor field
- Battery only – 4 x AA
- Low energy consumption allows for up to 200,000 cycles using good quality batteries
- Flashing LED when batteries need changing
- Water pressure range between 100-500kPa - recommended 350kPa
- Water Inlet – 15MM ½" G
- Single water feed – pre-mix water
- Water temperature - 1-60°



Contact Us:

Australia – 1300 530 883 or info@enviro-tech.com.au
 New Zealand – 0800 2 ENVIRO or info@enviro-tech.co.nz