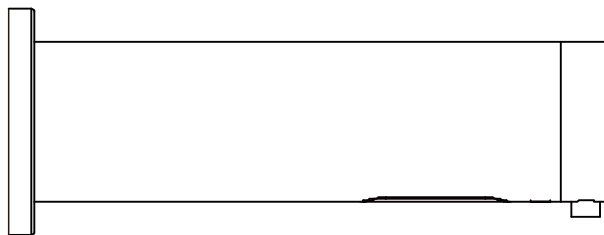




# **INSTALLATION INSTRUCTIONS**

## **Automatic Sensor Soap Dispenser ET2-20SD**



**Thank you for purchasing this Enviro-Tech product**

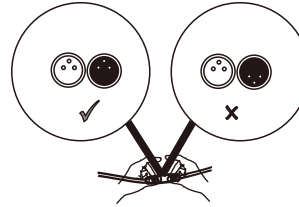
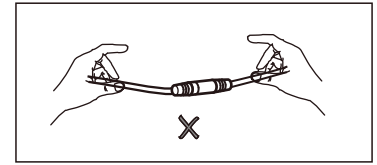
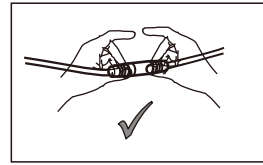
# INSTALLATION INSTRUCTIONS ELITE WALL MOUNTED SOAP DISPENSER

We strongly recommend that you use a qualified and registered plumber and electrician. Do not use high viscosity liquid soaps or gels as these may impair function and cause damage to pump and controller. It may be necessary to dilute some liquid soaps with water to ensure soap runs freely.

**Note: We recommend flushing regularly with warm water to remove dried or thickened soap.**

## TECHNICAL SPECIFICATION

|                        |                       |
|------------------------|-----------------------|
| Item NO                | ET2-20SD              |
| Material               | Brass                 |
| Operating voltage      | AC:220V DC:1.5V 4pcs  |
| Liquid measure         | 1.6-2L                |
| Ambient temperature    | Normal temperature    |
| Induction distance     | 0-8cm                 |
| Soap liquid viscosity  | 100-3500cp (mpA · s)  |
| The quantity of liquid | ≤2mL/times(setting 4) |

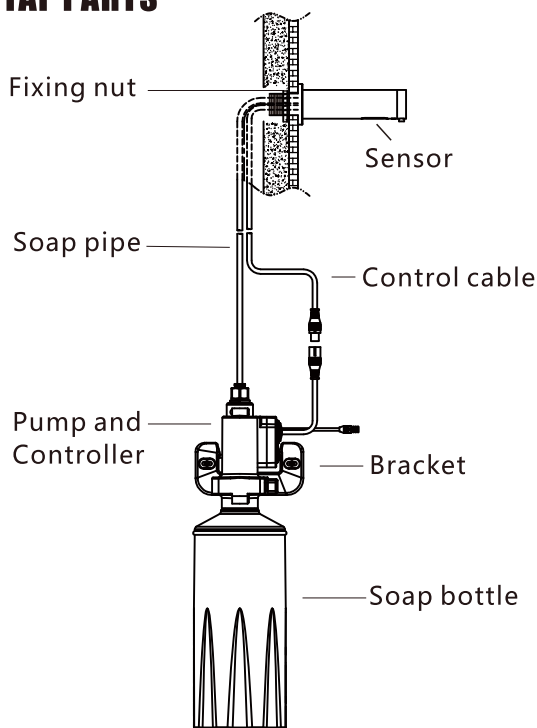


**Attention:**  
Hold the plug not the wire to connect and disconnect and make sure the pins align to the holes in the right position.

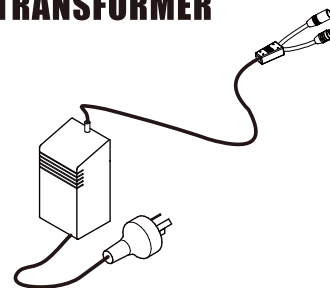
## TROUBLE SHOOTING

| Problem                      | Possible Cause  | Solution   |
|------------------------------|---|--|
| No soap flow                 | Most common:<br>Dispenser empty/No Power<br><br>Soap hose or nozzle is blocked<br><br>Sensor obstructed   | <ul style="list-style-type: none"> <li>• Check/fill soap dispenser. Check power supply, change batteries.</li> <li>• Unplug all cables, leave unplugged for 5 minutes and reconnect everything carefully.</li> </ul> Half fill empty soap bottle with warm water, reattach pump, activate sensor and flush water through the dispenser. It may be necessary to repeat this step.<br>Clean sensor |
| Dispenser is self-activating | All infra-red technology can be affected by strong or directional light, reflective surfaces or high-viz clothing. This is due to environmental factors and is not a product fault. |  |

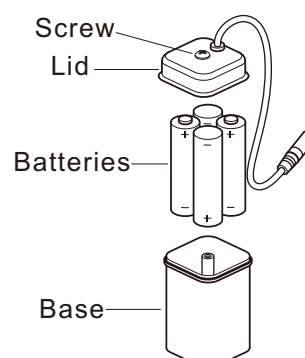
## TAP PARTS



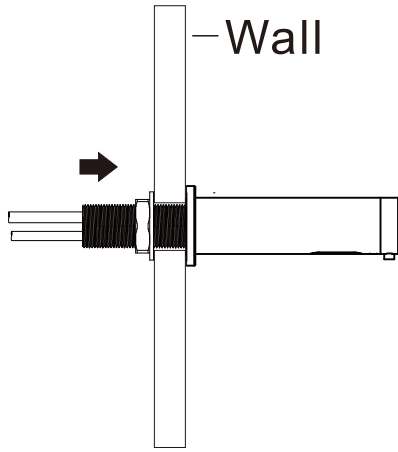
## TRANSFORMER



## BATTERY INSTALLATION

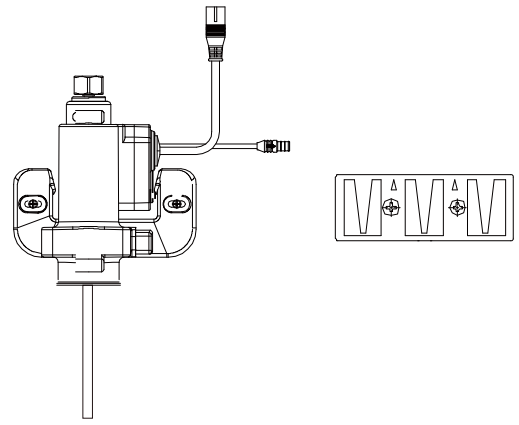


1



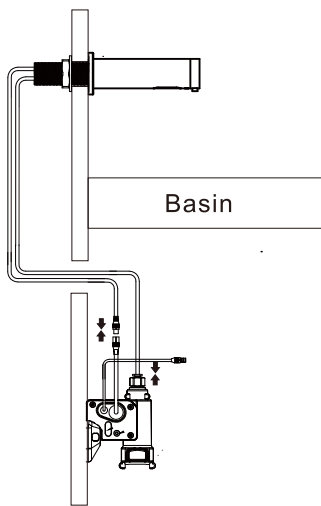
Place hose and control cable through the wall, then tighten nut to secure soap dispenser.

2



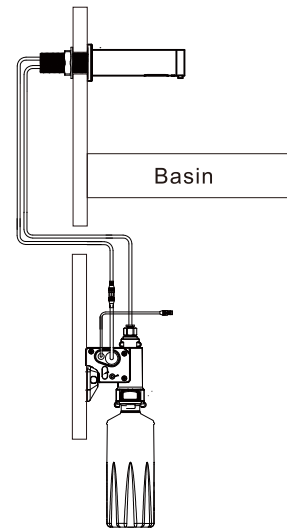
Screw the two brackets in suitable position under the basin making sure the hose and control cable can reach.

3



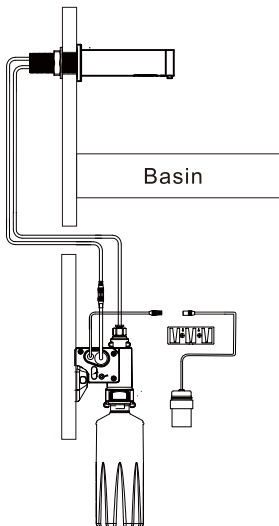
Plug the soap hose and control cable from the spout into the pump and controller.

4



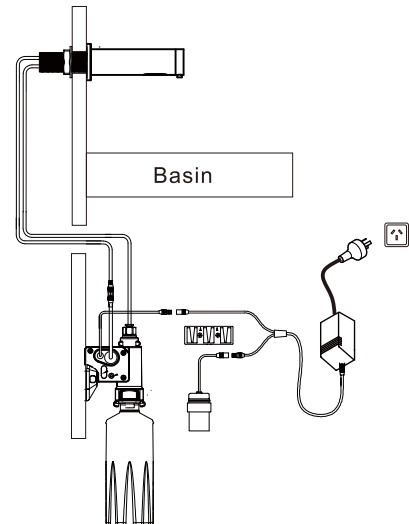
Fill with liquid soap and clip soap container into the pump and controller unit.

5



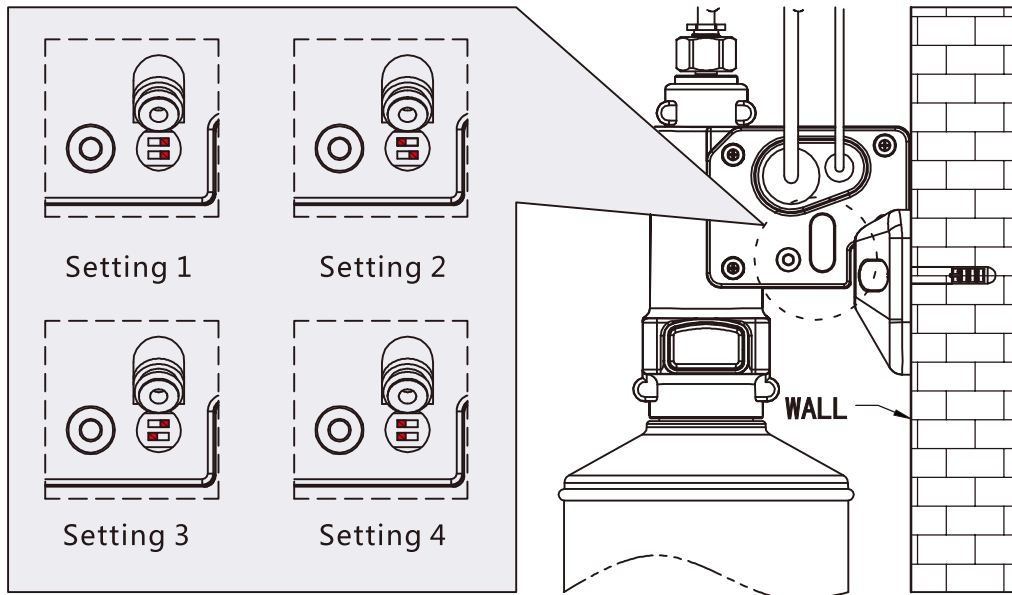
If battery only, plug battery box into power cable.

6



If AC/DC with battery back up, plug battery box into transformer and then plug in to mains socket.

## SOAP ADJUSTMENT



- 1) For set up ensure soap container is full.
- 2) Press the button beside the setting control until soap flows from spout.
- 3) Put hand in sensor field and soap will flow, use the 4 setting adjustments to achieve desired soap quantity.
- 4) To adjust the volume of soap, select one of the settings shown above. Setting 1 is the highest and setting 4 the lowest. Setting 4 = 2mls.



## WARRANTY

Enviro-Tech warrants that all tap bodies and standard chrome finish be guaranteed for 5 years from the date of purchase. All non-standard finishes are guaranteed for 2 years from the date of purchase with a 12 month repair or replacement warranty on all other products and parts. For full details of the warranty conditions, see the Warranty page of our websites.

## AFTERCARE

Whilst advanced plating techniques are used in the manufacture of this product. The surface will be affected if cleaned incorrectly. Surfaces should be maintained using a clean damp cloth, no abrasive agents or materials should be used or come into contact with the surface finish, or this will invalidate your warranty.

This Enviro-Tech product is manufactured strictly to adhere to the ISO9001 standard. Enviro-tech reserves the right to update product technology at any time.

Contact Info:

Australia – 1300 530 883 or [info@enviro-tech.com.au](mailto:info@enviro-tech.com.au)

New Zealand – 0800 2 ENVIRO or [info@enviro-tech.co.nz](mailto:info@enviro-tech.co.nz)